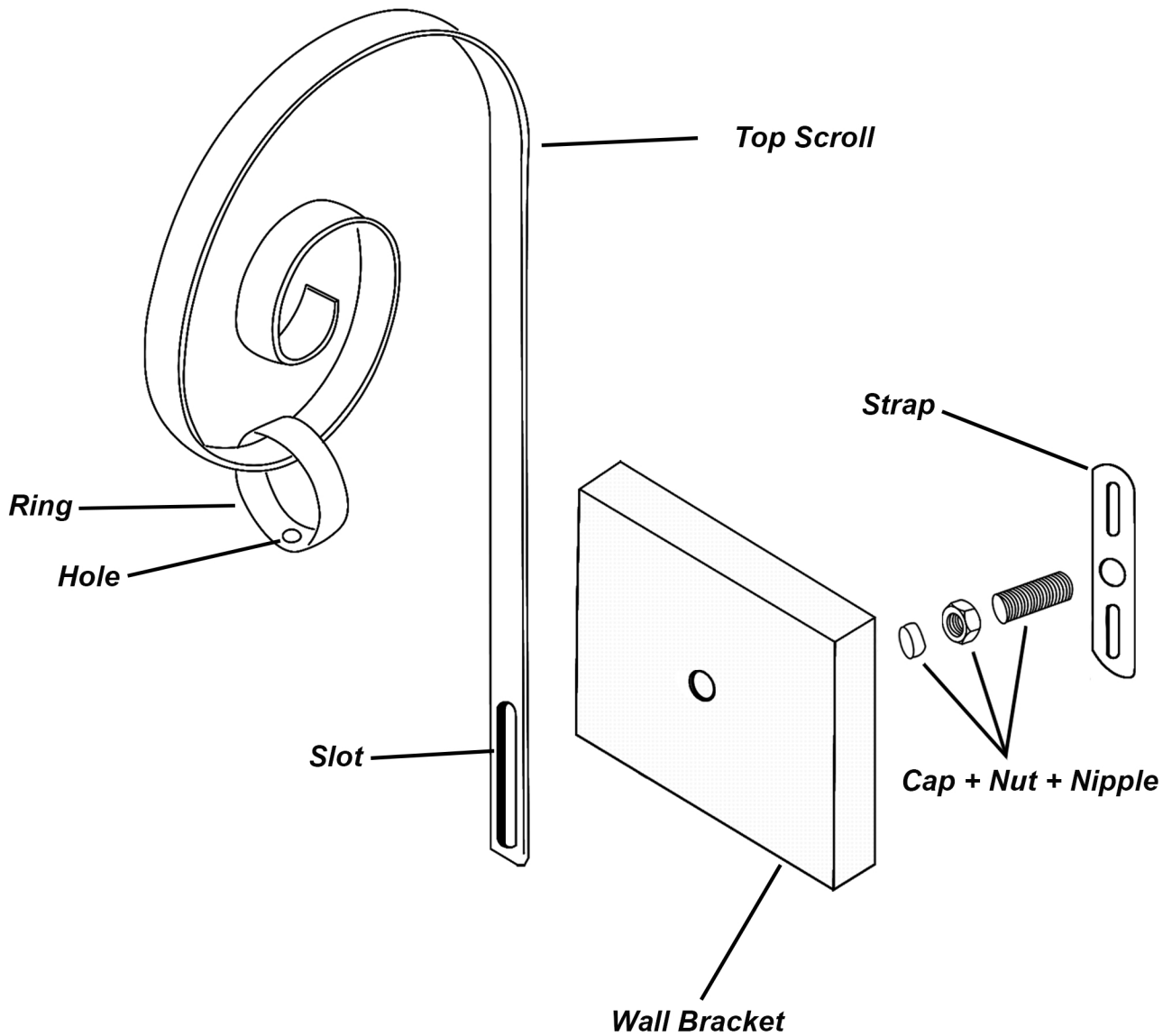




TOP SCROLL INSTALLATION



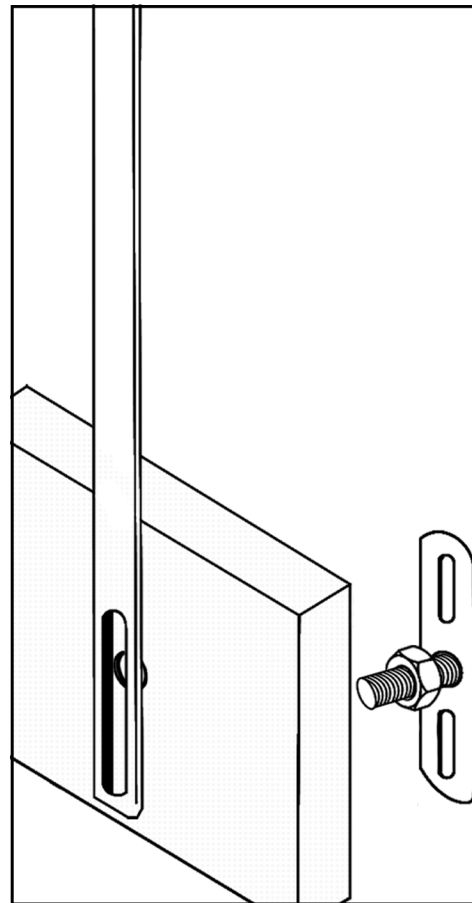
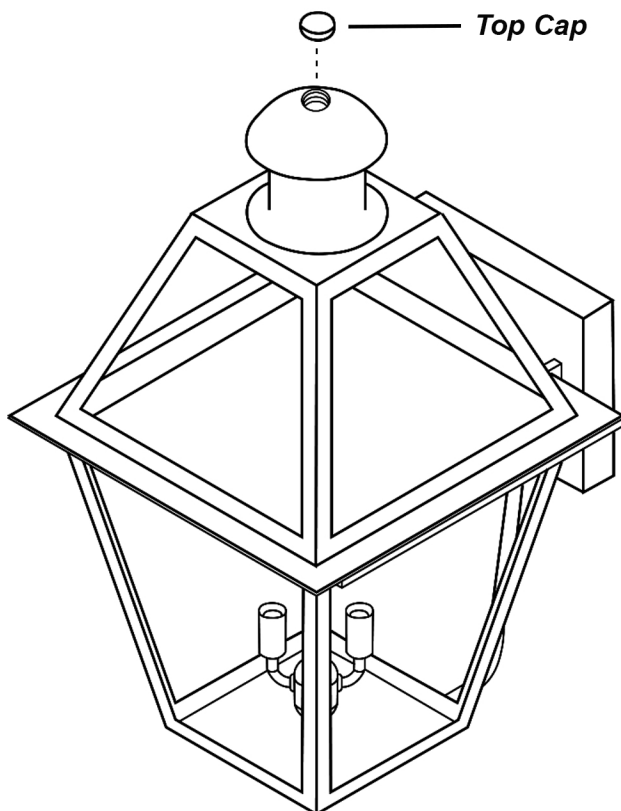
1. Remove top cap.

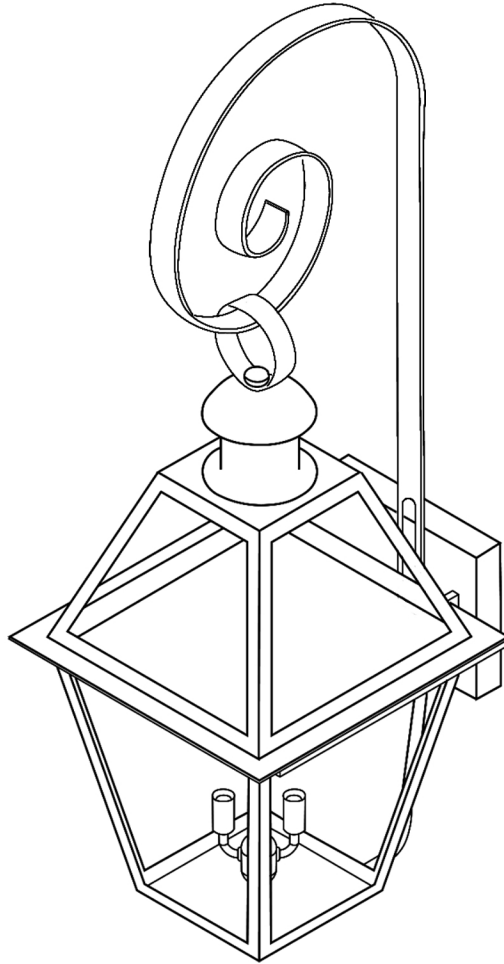
2. Remove cap from strap.

3. Position Top Scroll in back of lantern.

4. Insert Threaded Nipple into the bottom slot of Top Scroll.

5. Place & tighten nut to secure Top Scroll to Wall Bracket.





6. Bring Ring to where the Hole is above the top nipple of the lantern (where the Top Cap was).

7. Bring Ring down & insert top nipple into the Hole of the Ring.

8. Place & tighten Top Cap onto top nipple to secure Ring to the top of the lantern.

Additional technical assistance:

225-296-6610

info@primolanterns.com