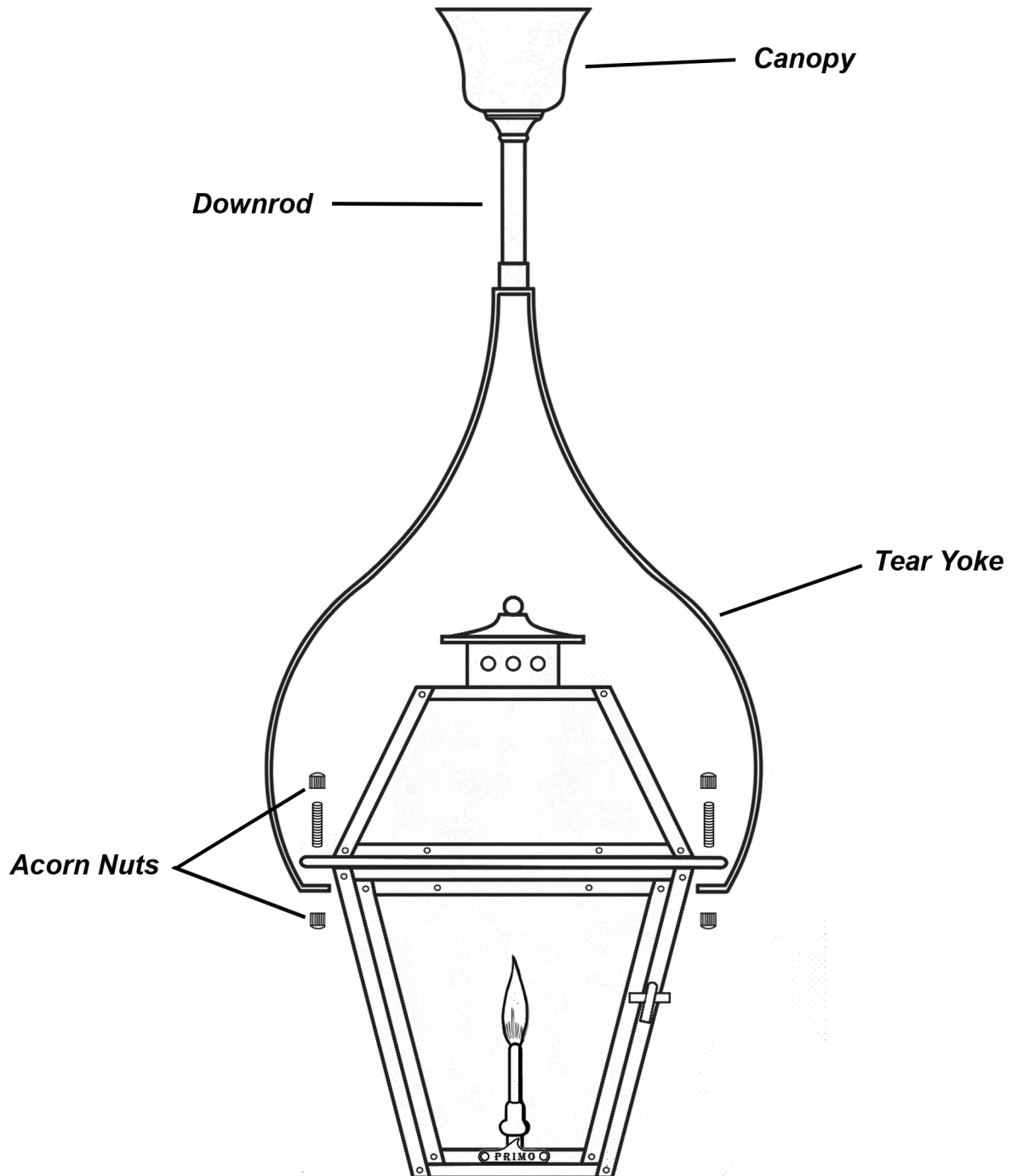


TEAR YOKE INSTALLATION



**1. Check parts in box & make sure your kit is complete.
Your lantern will come pre-plumbed for ease of installation.**

**2. Attach lantern to the yoke using supplied acorn nuts.
(see Fig.1)**

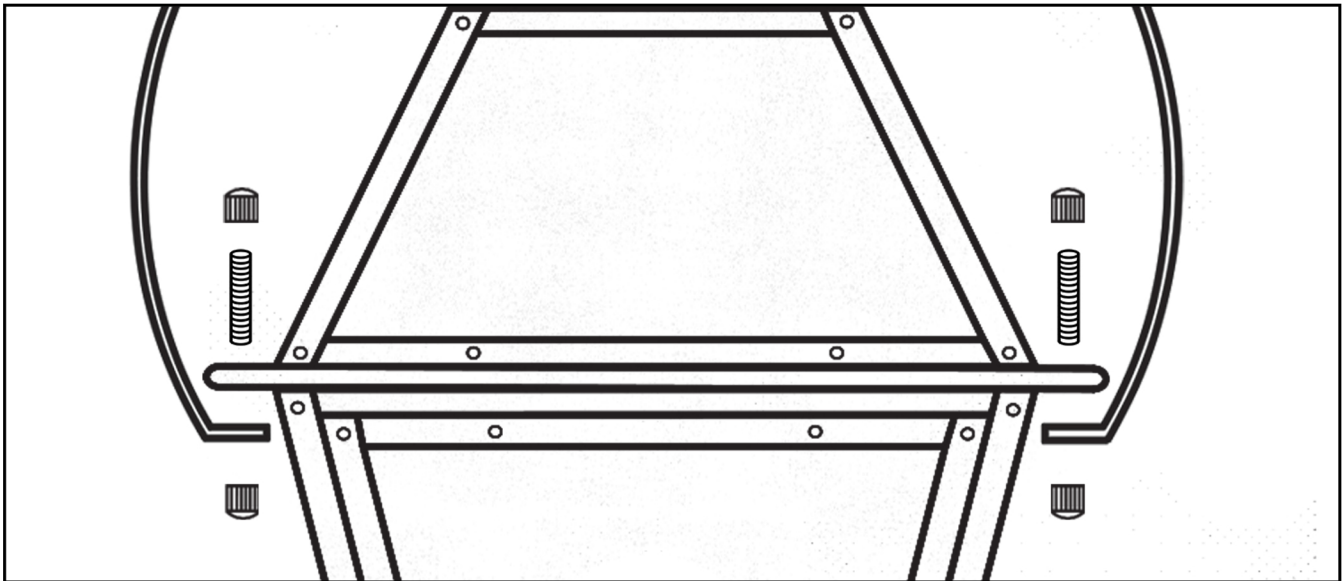
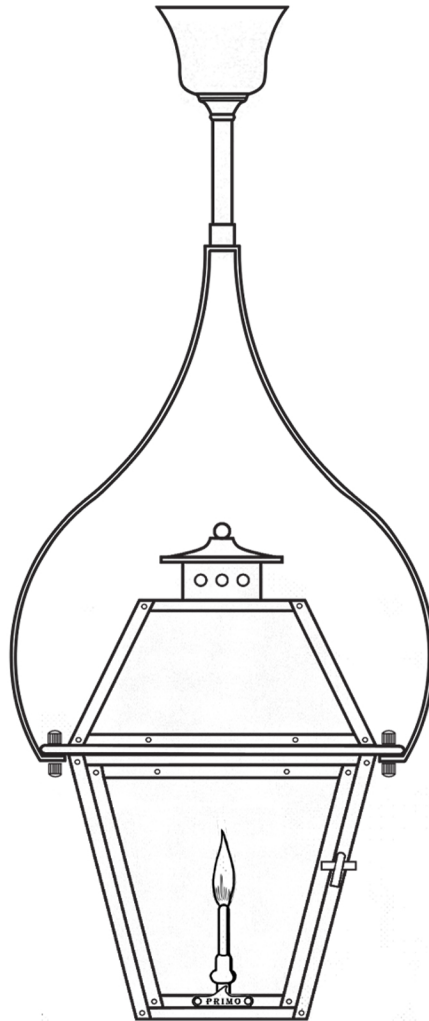


Fig. 1

3. Run a 1/4" copper tubing (*not included*) up through the center of the yoke & downrod to the ceiling, forming the tubing around the yoke down to the flange of the lantern.

4. Attach the yoke to the ceiling.

**5. Using the supplied fitting, combine 3/16 copper tubing with the 1/4 copper tubing you installed.
Make your connections at the ceiling,
& slide up the canopy & tighten set screw to secure.**



Additional technical assistance:

225-296-6610

info@primolanterns.com