
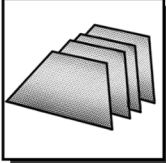




SOLID TOP PANELS INSTALLATION

TOOLS NEEDED	PARTS
 <p data-bbox="505 772 776 806"><i>Flat-Tip Screwdriver</i></p>	 <p data-bbox="1057 772 1317 806"><i>Copper Top Panels</i></p>

1. Using a small flat tip screwdriver, carefully bend back glass tabs to remove all top panels of glass. Set glass to the side for now.

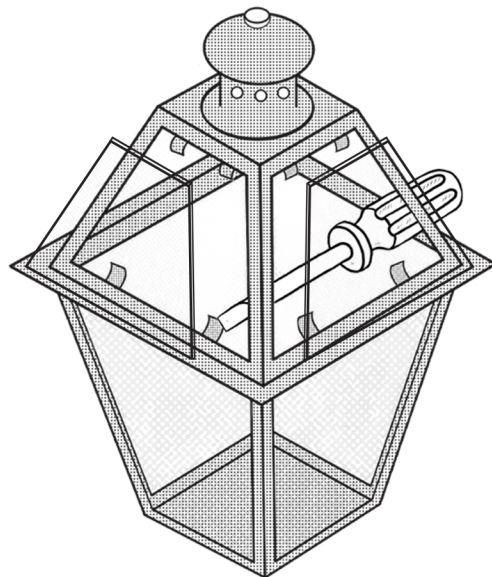


Fig.1

2. With the tabs open, place each copper panel within the tabs in each one of the panes.

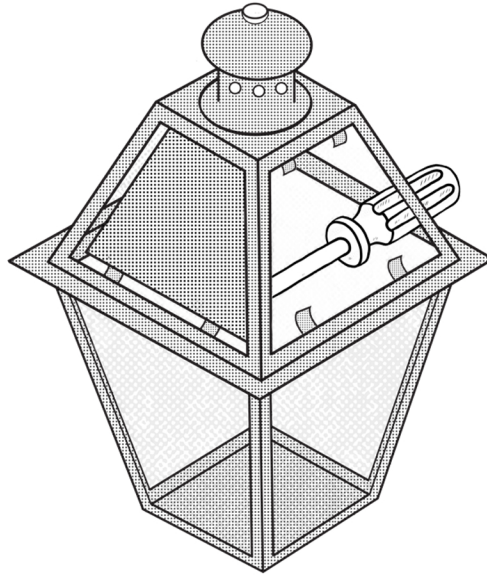


Fig. 2

3. Place each glass panel behind each copper panel.

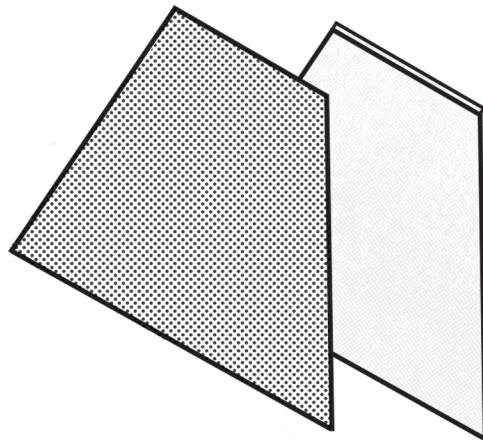


Fig. 3

4. Carefully press tabs back in to hold the glass & copper panels in place.

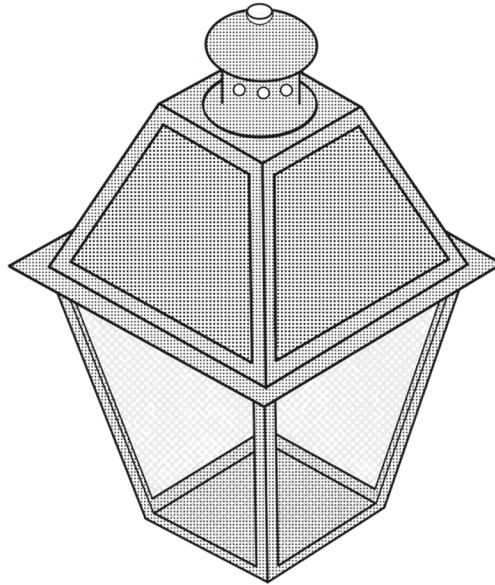


Fig. 4

Note: Copper-face of the panels should be facing outside

Copper on your new lantern will vary with age.

Environmental conditions will vary place to place,
affecting your copper lantern differently depending on your area.

Color variation should not be visible within 30-60 days of installation.

You can correct the color difference by using steel wool to lightly rub
the darker of the two surfaces, blending the colors together.

Additional technical assistance:

225-296-6610

info@primolanterns.com