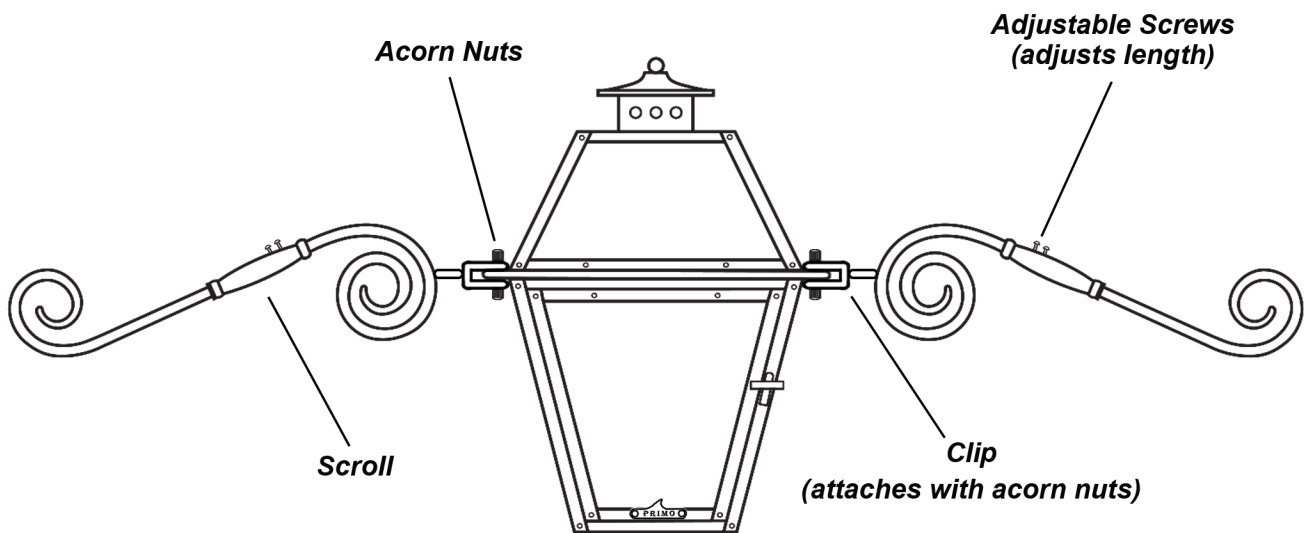


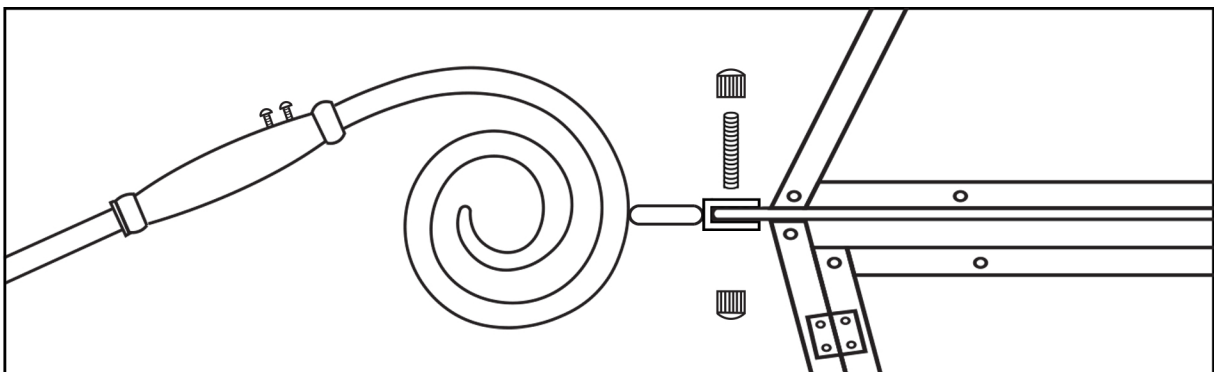
PRIMO

INTERNATIONAL

MOUSTACHE INSTALLATION

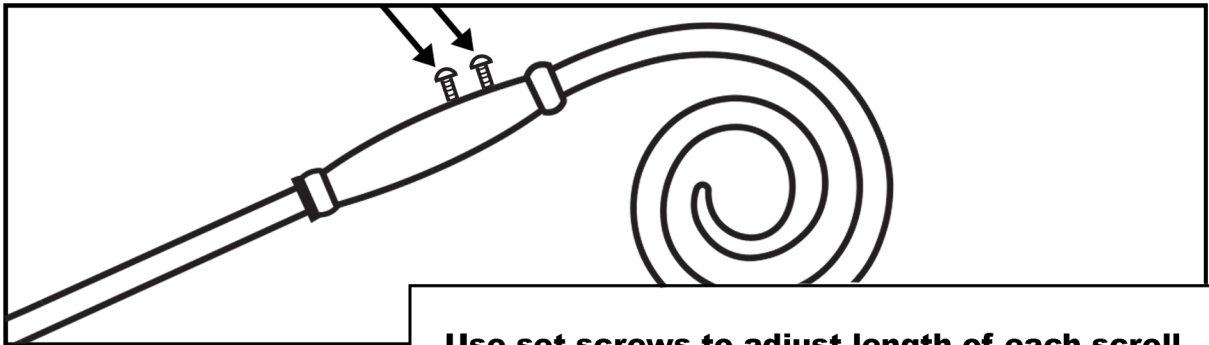


1. After mounting bracket to the wall, attach clip to the side of the bracket using acorn nuts/threaded nipple.



2. The moustache scroll is designed to mount to the center portion of the gas lantern bracket & taper back to the wall.

3. The scrolls are adjustable from 18 inches to 24 inches to fit any application, as is the clip position on the bracket.



Use set screws to adjust length of each scroll.

4. Attach the rear end of the moustache scroll using appropriate fasteners (*not included*) for your surface.

**ie. Wood Screws for Wood/Stucco,
Anchor Bolts/Molly Bolts for Stone/Mason Walls**

Additional technical assistance:

225-296-6610

info@primolanterns.com