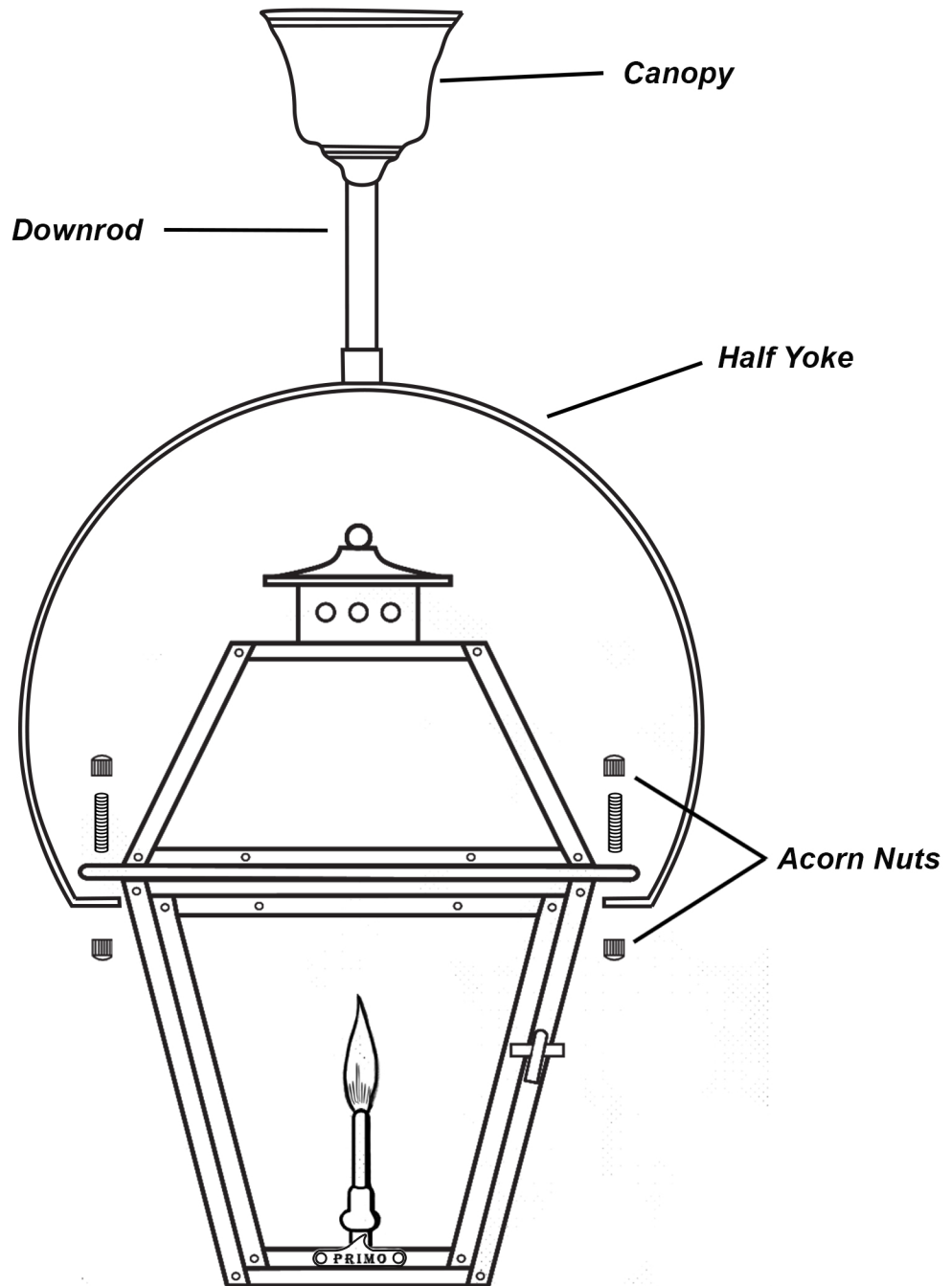
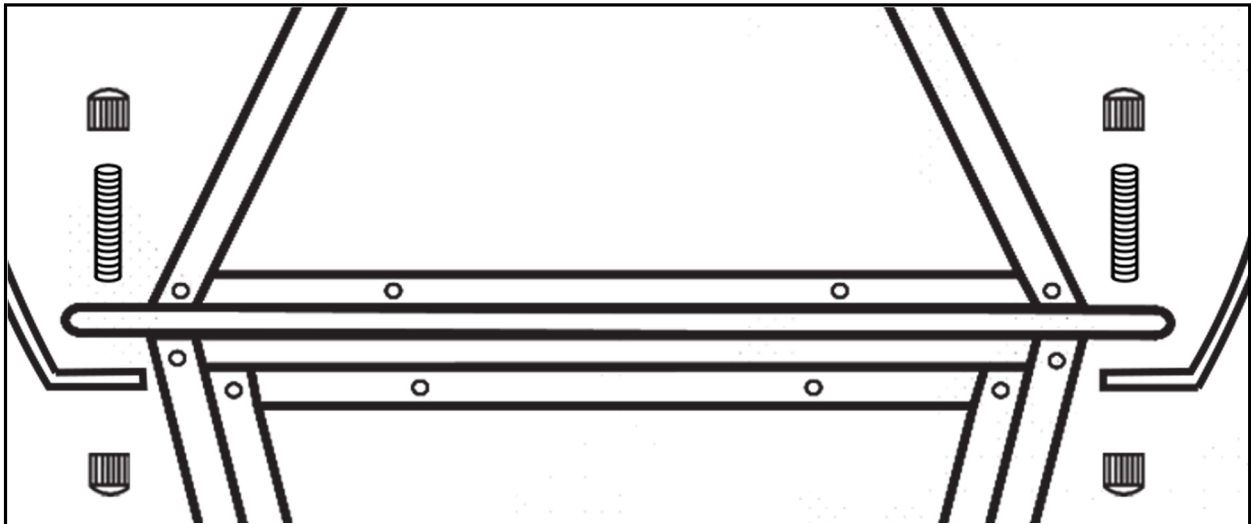




HALF YOKE INSTALLATION



1. Using the supplied brass acorn nuts, attach the yoke to one side of the lantern. Once attached, take the other side of the yoke & connect to the opposite flange. The yoke is aluminum & will connect with slight pressure.

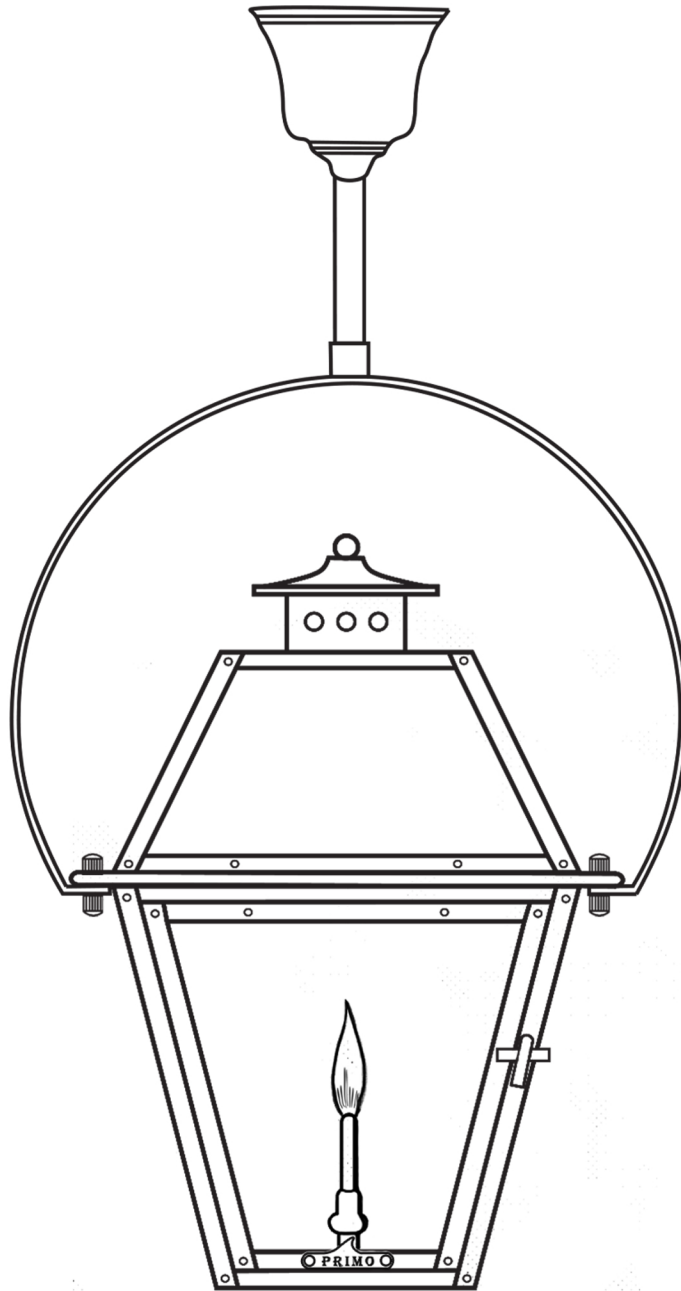


2. Run 1/4" Copper Tubing (*not included*) up through the center of the Half Yoke & Downrod to the ceiling, forming the tubing around the Half Yoke down to the flange of the lantern.

3. Attach the Half Yoke to the ceiling.

4. Using the supplied fitting, combine the 3/16" Copper Tubing with the 1/4" Copper Tubing that was installed.

**5. Make your connections at the ceiling.
Slide the canopy up, tighten, & set screw to secure.**



Additional technical assistance:

225-296-6610

info@primolanterns.com